

Wire-wound Metal Power Inductors MCOIL™ LSDN/LCDN/LBDN/LLDN/LMDN series

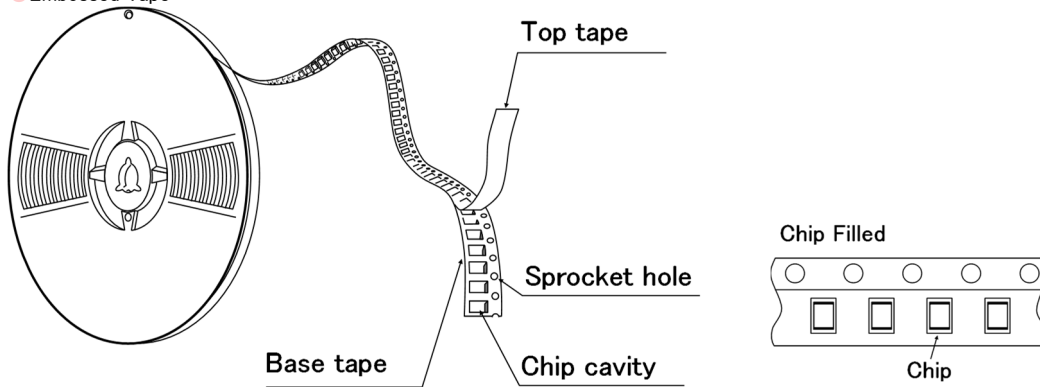
PACKAGING

① Minimum Quantity

Type	Standard Quantity [pcs]
	Tape & Reel
1616KK	2500
2020JE	2500
2020KK	
2020MK	
3030KK	2000
3030MK	
4040JE	1000
4040MK	
4040WK	
5050PK	1000

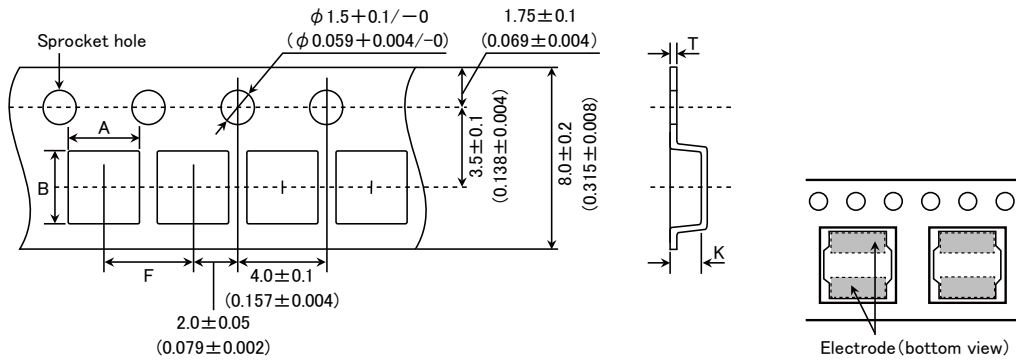
② Tape Material

● Embossed Tape



③ Taping dimensions

● Embossed tape 8mm wide (0.315 inches wide)

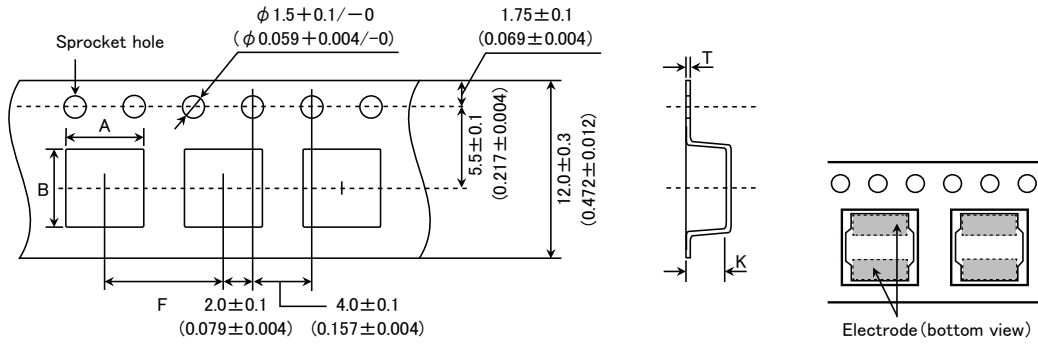


Type	Chip cavity		Insertion pitch	Tape thickness	
	A	B	F	T	K
1616KK	1.79 ± 0.1 (0.071 ± 0.004)	1.79 ± 0.1 (0.071 ± 0.004)	4.0 ± 0.1 (0.157 ± 0.004)	0.25 ± 0.05 (0.010 ± 0.002)	1.1 ± 0.1 (0.043 ± 0.004)
2020JE 2020KK 2020MK	2.2 ± 0.1 (0.102 ± 0.004)	2.2 ± 0.1 (0.102 ± 0.004)	4.0 ± 0.1 (0.157 ± 0.004)	0.25 ± 0.05 (0.009 ± 0.002)	1.3 ± 0.1 (0.051 ± 0.004)
3030KK 3030MK	3.2 ± 0.1 (0.126 ± 0.004)	3.2 ± 0.1 (0.126 ± 0.004)	4.0 ± 0.1 (0.157 ± 0.004)	0.3 ± 0.05 (0.012 ± 0.002)	1.4 ± 0.1 (0.055 ± 0.004)

Unit : mm (inch)

▶ This catalog contains the typical specification only due to the limitation of space. When you consider the purchase of our products, please check our specification. For details of each product (characteristics graph, reliability information, precautions for use, and so on), see our Web site (<http://www.ty-top.com/>).

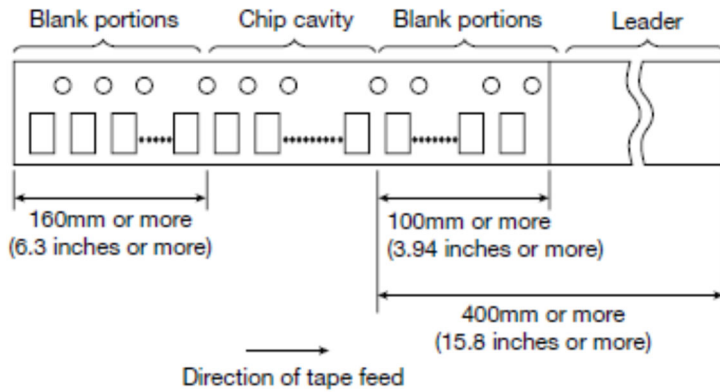
● Embossed tape 12mm wide (0.47 inches wide)



Type	Chip cavity		Insertion pitch F	Tape thickness	
	A	B		T	K
4040JE	4.3 ± 0.1	4.3 ± 0.1	8.0 ± 0.1	0.3 ± 0.05	1.6 ± 0.1
4040MK	(0.169 ± 0.004)	(0.169 ± 0.004)	(0.315 ± 0.004)	(0.012 ± 0.002)	(0.063 ± 0.004)
4040WK	4.3 ± 0.1	4.3 ± 0.1	8.0 ± 0.1	0.3 ± 0.05	2.3 ± 0.1
	(0.169 ± 0.004)	(0.169 ± 0.004)	(0.315 ± 0.004)	(0.012 ± 0.002)	(0.091 ± 0.004)
5050PK	5.25 ± 0.1	5.25 ± 0.1	8.0 ± 0.1	0.3 ± 0.1	1.6 ± 0.1
	(0.207 ± 0.004)	(0.207 ± 0.004)	(0.315 ± 0.004)	(0.012 ± 0.004)	(0.063 ± 0.004)

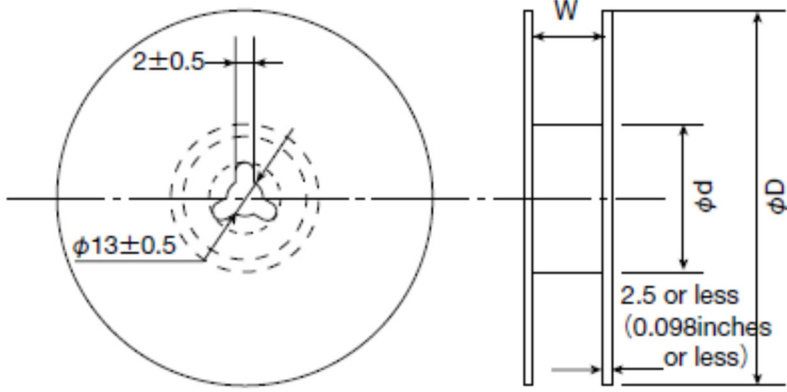
Unit: mm (inch)

④ Leader and Blank portion



► This catalog contains the typical specification only due to the limitation of space. When you consider the purchase of our products, please check our specification. For details of each product (characteristics graph, reliability information, precautions for use, and so on), see our Web site (<http://www.ty-top.com/>).

⑤ Reel size



Type	Reel size (Reference values)		
	ϕD	ϕd	W
1616KK	180±0.5 (7.087±0.019)	60±1.0 (2.36±0.04)	10.0±1.5 (0.394±0.059)
2020JE			
2020KK			
2020MK			
3030KK	180±3.0 (7.087±0.118)	60±2.0 (2.36±0.08)	14.0±1.5 (0.551±0.059)
3030MK			
4040JE	180±3.0 (7.087±0.118)	60±2.0 (2.36±0.08)	14.0±1.5 (0.551±0.059)
4040MK			
4040WK			
5050PK			

Unit: mm (inch)

⑥ Top Tape Strength

Top tape strength

Type	Peel-off strength
MDKK1616	0.1N~1.0N
MDJE2020	
MDKK2020	
MDMK2020	
MDKK3030	0.1N~1.3N
MDMK3030	
MDJE4040	
MDMK4040	
MDWK4040	
MDPK5050	

