

***Bluetooth®* Dual Mode Module EYSGCCAXW/ EYSGCCSXW Overview**

Oct 22, 2020 Version 1.1

Bluetooth® Dual-Mode Module: EYSGCCAXW (UART Interface)

Features

- Frequency: 2402 to 2480 MHz
- Output power: +8.5dBm typ.
- Single power supply: 2.7 – 4.3V
- Dual Mode: Bluetooth BR/EDR and Bluetooth low energy
- Chip: CSRB5348 (CSR aka.BC08EXT)
- Integrated System Clock
- Integrated high performance antenna
- 56KB RAM , 1MB ROM and 2MB Flash
- Interface: UART
- Protocol stack: Under HCI firmware.
- Outline: 15.4 x 10 x 2.0 mm with LGA
- Operating Temperature range: -40 to 85 deg-C
- Bluetooth V5.0 and Japan, FCC, ISED qualification
- CE Conducted Test Report Available
- RoHS compliant / Complete Lead Free

Applications

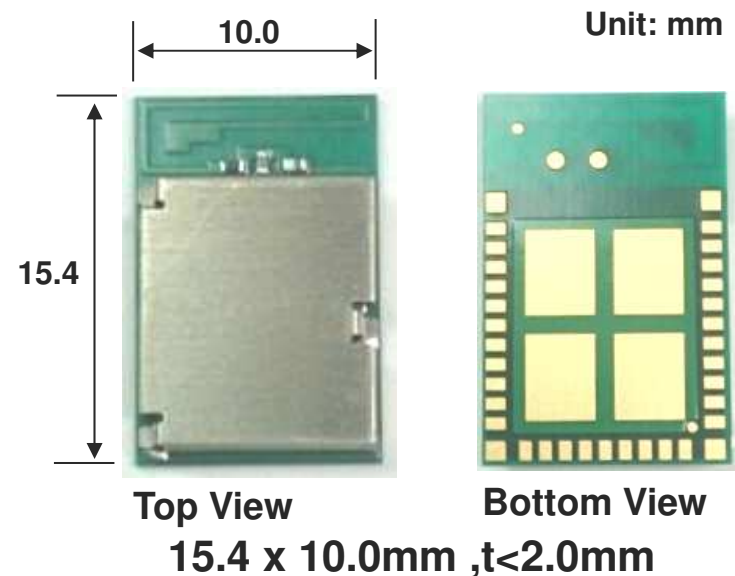
- PC peripherals
- Mobile printer
- Handy terminal
- Heart rate / Blood pressure monitor
- Blood glucose meter
- Weighing machine
- Thermometer
- Mobile accessories
- Sports and fitness sensors
- Remote controllers

All specifications are subject to change without notice.

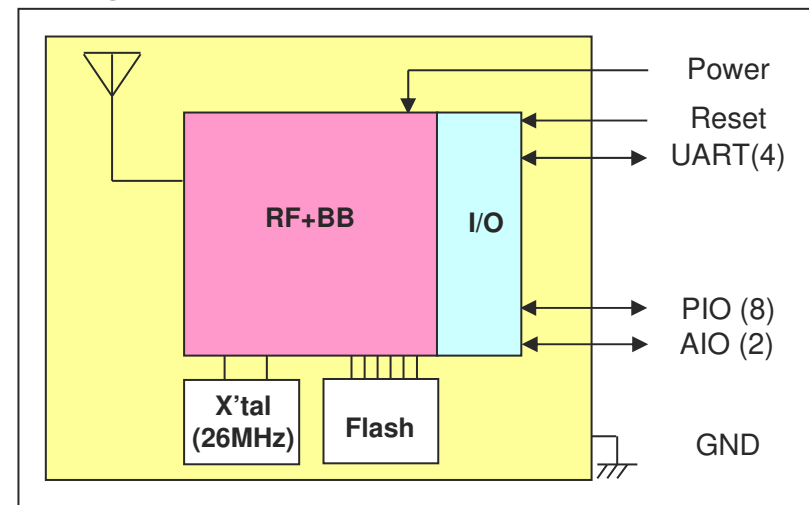
The *Bluetooth*® word mark and logos are owned by the *Bluetooth* SIG, Inc. and any use of such marks by TAIYO YUDEN CO., LTD. is under license.

TAIYO YUDEN

Outline



Block Diagram



Bluetooth® Dual-Mode Module: EYSGCCSXW (USB Interface)

Features

- Frequency: 2402 to 2480 MHz
- Output power: +8.5dBm typ.
- Single power supply: 2.7 – 4.3V
- Dual Mode: Bluetooth BR/EDR and Bluetooth low energy
- Chip: CSRB5348 (CSR aka.BC08EXT)
- Integrated System Clock
- Integrated high performance antenna
- 56KB RAM , 1MB ROM and 2MB Flash
- Interface: USB
- Protocol stack: Under HCI firmware.
- Outline: 15.4 x 10 x 2.0 mm with LGA
- Operating Temperature range: -40 to 85 deg-C
- Bluetooth V5.0 and Japan, FCC, ISED qualification
- CE Conducted Test Report Available
- RoHS compliant / Complete Lead Free

Applications

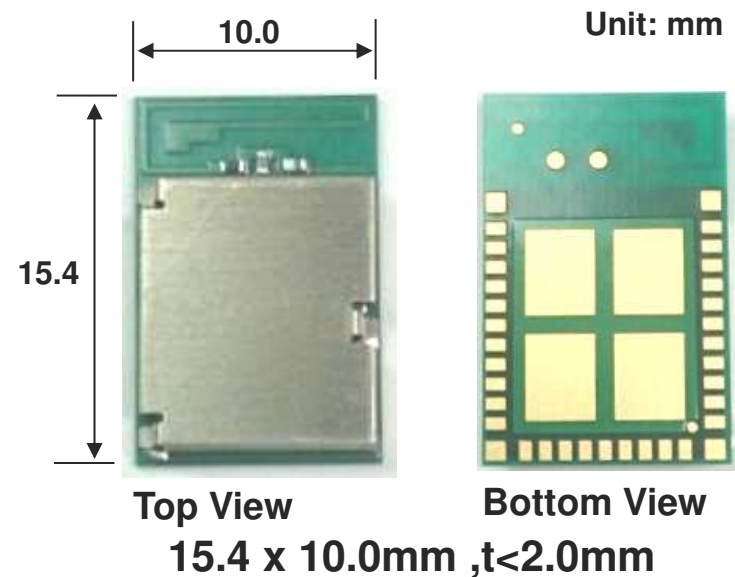
- PC peripherals
- Mobile printer
- Handy terminal
- Heart rate / Blood pressure monitor
- Blood glucose meter
- Weighing machine
- Thermometer
- Mobile accessories
- Sports and fitness sensors
- Remote controllers

All specifications are subject to change without notice.

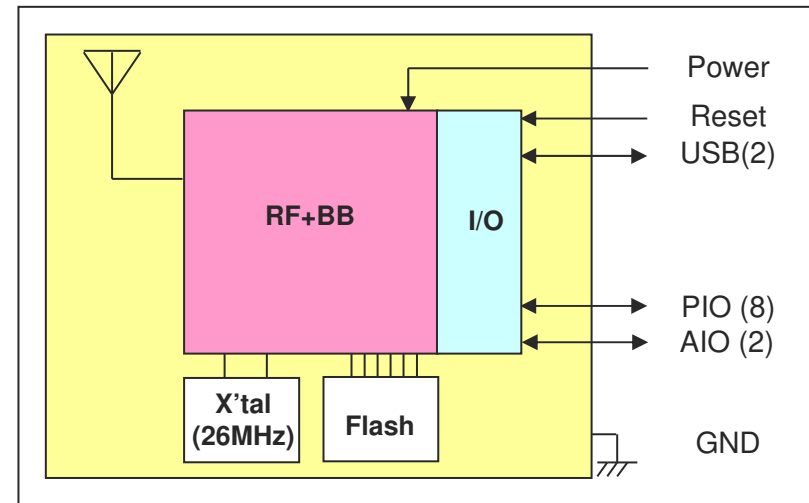
The *Bluetooth*® word mark and logos are owned by the *Bluetooth* SIG, Inc. and any use of such marks by TAIYO YUDEN CO., LTD. is under license.

TAIYO YUDEN

Outline



Block Diagram



製品情報の補足

Bluetooth® dual mode module 動作環境

Host Platform : Laptop running Linux Ubuntu-16 OS with USB interface

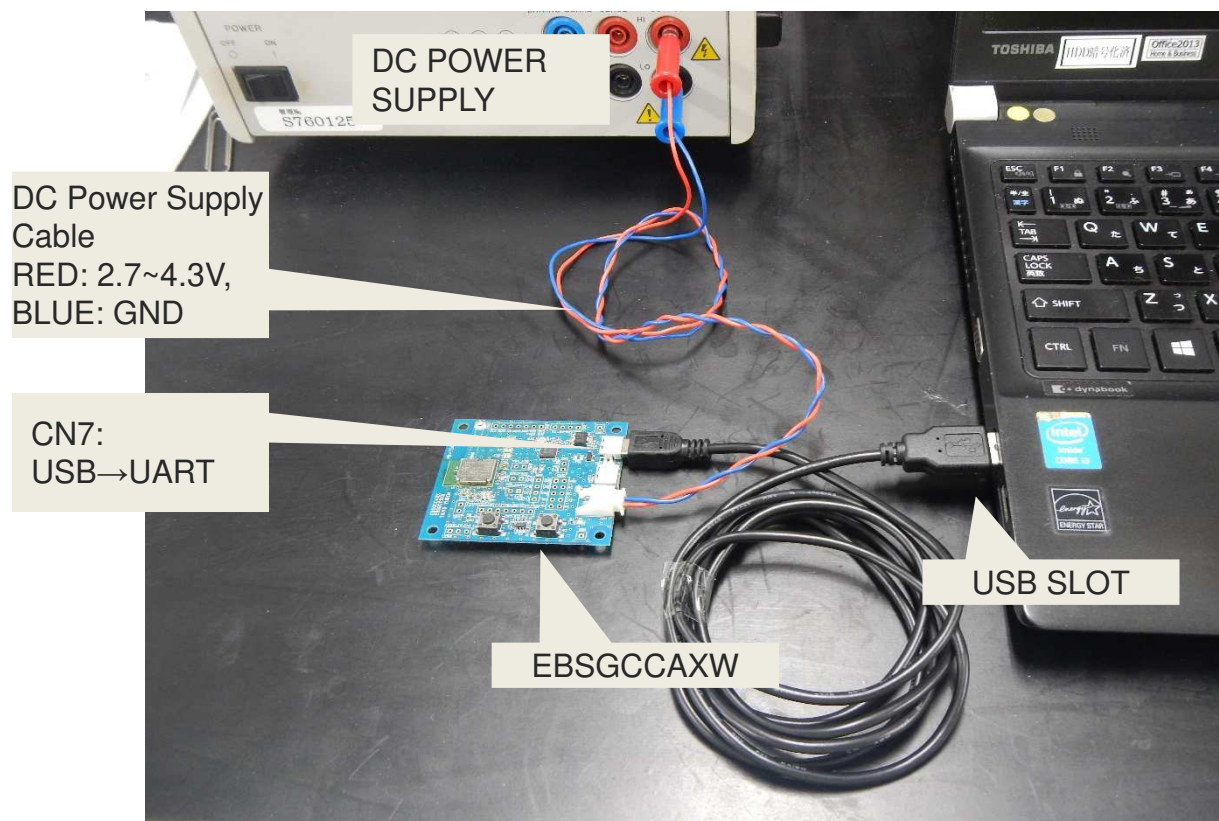
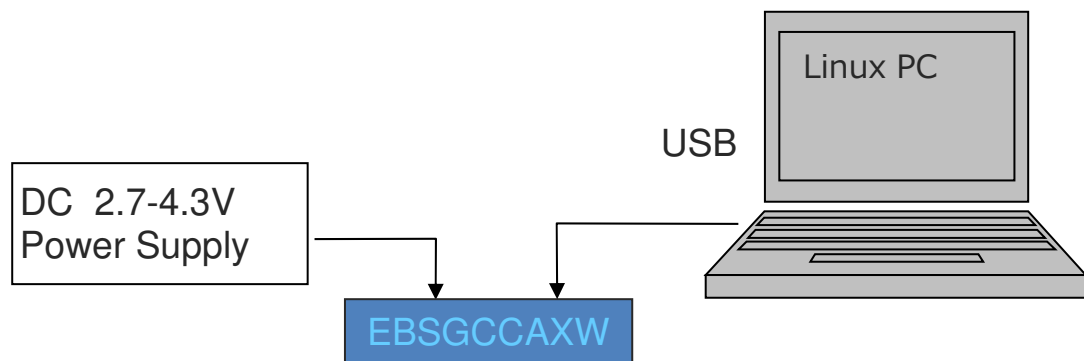
Evaluation Board に提供されるもの

- Data Report: Detail Module information
- Design Guide: Peripheral design guide
- Evaluation Board Manual: Manual on how to evaluate the Module with the Evaluation Board
- Users Guide

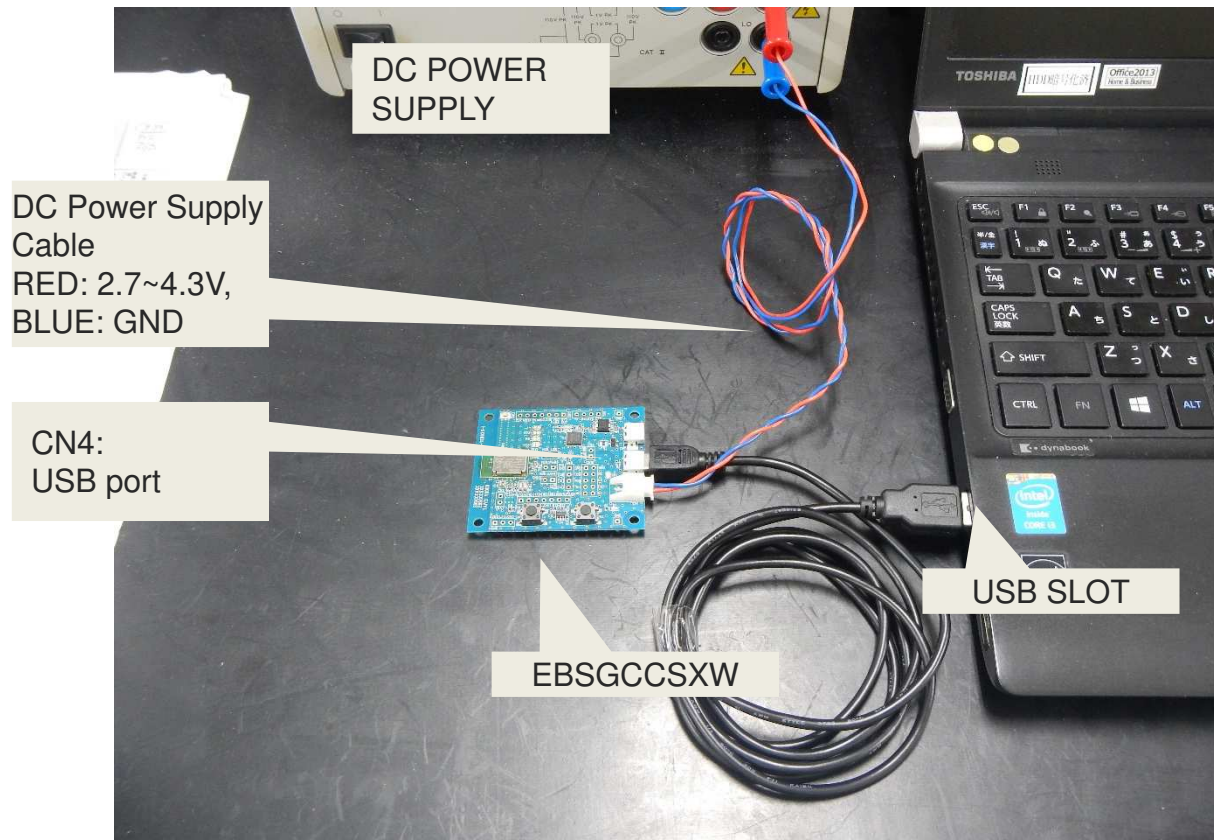
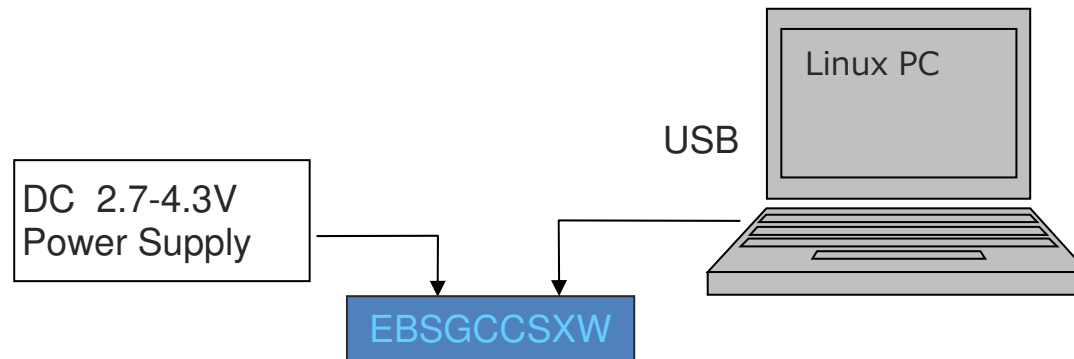
注:

**EYSGCCAXW/EYSGCCSXWはウェブディストリビュータによって提供される際、
どのような上記の文書もバンドルされません。
それらを得るために、EBSGCCAXWを購入する必要があります。**

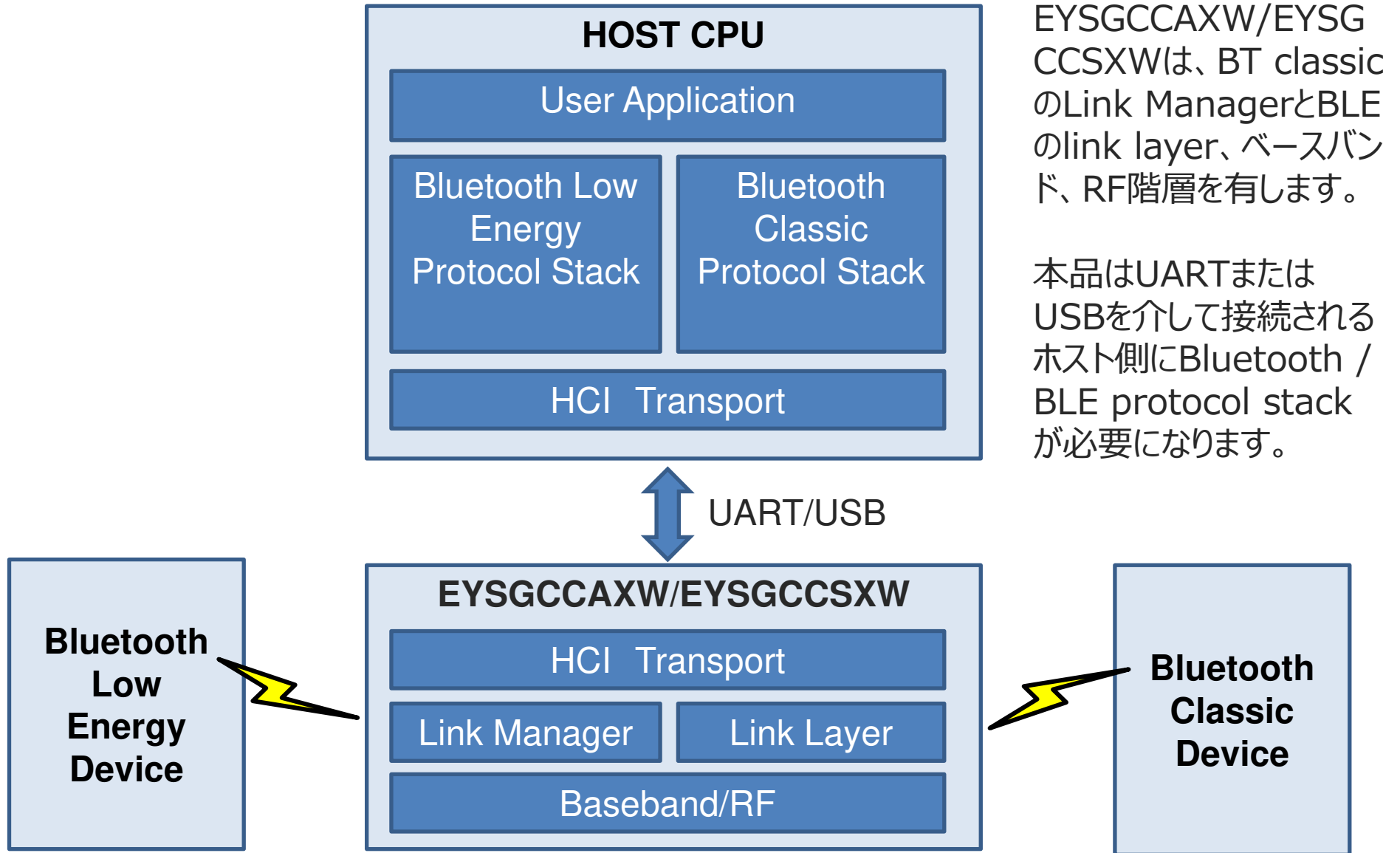
ハードウェア構成例 (EBSGCCAXW)



ハードウェア構成例 (EBSGCCSXW)



EBSGCCAXW / EYSGCCSXW ソフトウェア構成

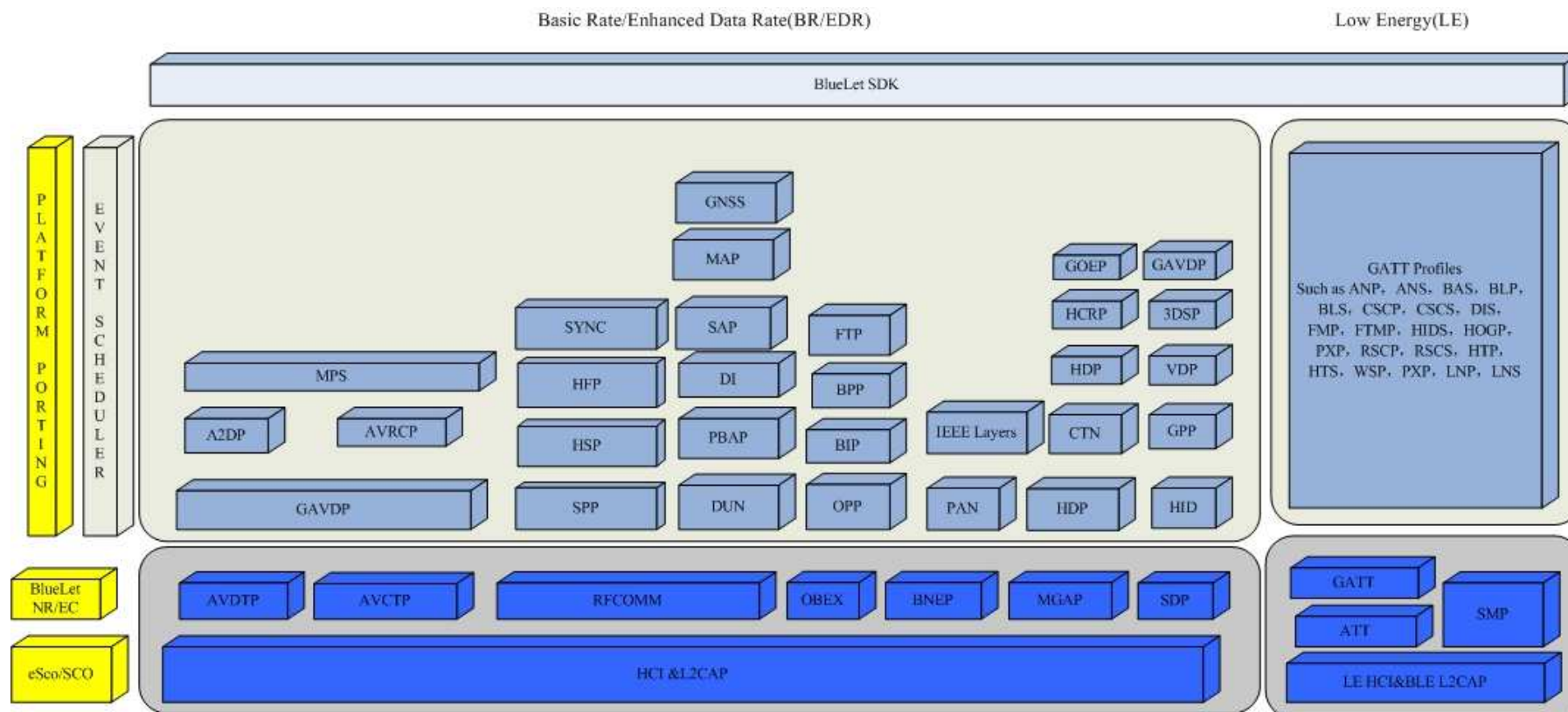


EYSGCCAXW/EYSGCCSXWは、BT classicのLink ManagerとBLEのlink layer、ベースバンド、RF階層を有します。

本品はUARTまたはUSBを介して接続されるホスト側にBluetooth / BLE protocol stackが必要になります。

推奨ソフトハウス

開発パートナー：株式会社ジェピコ <https://www.jepico.co.jp/>
 HOST CPUへのBluetoothスタックのポーティングはじめ、
 お客様のBluetooth製品開発をサポートいたします。



(Bluetoothスタック Barrot社”Bluelet” 概要図)

※ EYSGCCAXW/ EYSGCCSXWにおいて、図中の全てのプロファイルが利用できる訳ではございません。

TAIYO YUDEN