

# Notice for TAIYO YUDEN Products

---

Please read this notice before using the TAIYO YUDEN products.



## REMINDERS

### ■ Product Information in this Catalog

Product information in this catalog is as of October 2021. All of the contents specified herein and production status of the products listed in this catalog are subject to change without notice due to technical improvement of our products, etc. Therefore, please check for the latest information carefully before practical application or use of our products.

Please note that TAIYO YUDEN shall not be in any way responsible for any damages and defects in products or equipment incorporating our products, which are caused under the conditions other than those specified in this catalog or individual product specification sheets.

### ■ Approval of Product Specifications

Please contact TAIYO YUDEN for further details of product specifications as the individual product specification sheets are available. When using our products, please be sure to approve our product specifications or make a written agreement on the product specification with TAIYO YUDEN in advance.

### ■ Pre-Evaluation in the Actual Equipment and Conditions

Please conduct validation and verification of our products in actual conditions of mounting and operating environment before using our products.

### ■ Safety Design

When using our products for high safety and/or reliability-required equipment or circuits, please fully perform safety and/or reliability evaluation. In addition, please install (i) systems equipped with a protection circuit and a protection device and/or (ii) systems equipped with a redundant circuit or other system to prevent an unsafe status in the event of a single fault for a failsafe design to ensure safety.

### ■ Intellectual Property Rights

Information contained in this catalog is intended to convey examples of typical performances and/or applications of our products and is not intended to make any warranty with respect to the intellectual property rights or any other related rights of TAIYO YUDEN or any third parties nor grant any license under such rights.

### ■ Limited Warranty

Please note that the scope of warranty for our products is limited to the delivered our products themselves conforming to the product specifications specified in the individual product specification sheets, and TAIYO YUDEN shall not be in any way responsible for any damages resulting from a failure or defect in our products. Notwithstanding the foregoing, if there is a written agreement (e.g., supply and purchase agreement, quality assurance agreement) signed by TAIYO YUDEN and your company, TAIYO YUDEN will warrant our products in accordance with such agreement, provided, however, that our products shall be used for general-purpose and standard use in the equipment specified in this catalog or the individual product specification sheets.

### ■ TAIYO YUDEN's Official Sales Channel

The contents of this catalog are applicable to our products which are purchased from our sales offices or authorized distributors (hereinafter "TAIYO YUDEN's official sales channel"). Please note that the contents of this catalog are not applicable to our products purchased from any seller other than TAIYO YUDEN's official sales channel.

### ■ Caution for Export

Some of our products listed in this catalog may require specific procedures for export according to "U.S. Export Administration Regulations", "Foreign Exchange and Foreign Trade Control Law" of Japan, and other applicable regulations. Should you have any questions on this matter, please contact our sales staff.

## ■ Limited Application

### 1. Equipment Intended for Use

The products listed in this catalog are intended for general-purpose and standard use in general electronic equipment for consumer (e.g., AV equipment, OA equipment, home electric appliances, office equipment, information and communication equipment including, without limitation, mobile phone, and PC) and other equipment specified in this catalog or the individual product specification sheets, or the equipment approved separately by TAIYO YUDEN.

TAIYO YUDEN has the product series intended for use in the following equipment. Therefore, when using our products for these equipment, please check available applications specified in this catalog or the individual product specification sheets and use the corresponding products.

Application	Product Series		Quality Grade <sup>*3</sup>
	Equipment <sup>*1</sup>	Category (Part Number Code <sup>*2</sup> )	
Automotive	Automotive Electronic Equipment (POWERTRAIN, SAFETY)	A	1
	Automotive Electronic Equipment (BODY & CHASSIS, INFOTAINMENT)	C	2
Industrial	Telecommunications Infrastructure and Industrial Equipment	B	2
Medical	Medical Devices classified as GHTF Class C (Japan Class III)	M	2
	Medical Devices classified as GHTF Classes A or B (Japan Classes I or II)	L	3
Consumer	General Electronic Equipment	S	3

\*Notes: 1. Based on the general specifications required for electronic components for such equipment, which are recognized by TAIYO YUDEN, the use of each product series for the equipment is recommended. Please be sure to contact TAIYO YUDEN before using our products for equipment other than those covered by the product series.

2. On each of our part number, the 2nd code from the left is a code indicating the "Category" as shown in the above table. For details, please check the explanatory materials regarding the part numbering system of each of our products.

3. Each product series is assigned a "Quality Grade" from 1 to 3 in order of higher quality. Please do not incorporate a product into any equipment with a higher Quality Grade than the Quality Grade of such product without the prior written consent of TAIYO YUDEN.

### 2. Equipment Requiring Inquiry

Please be sure to contact TAIYO YUDEN for further information before using the products listed in this catalog for the following equipment (excluding intended equipment as specified in this catalog or the individual product specification sheets) which may cause loss of human life, bodily injury, serious property damage and/or serious public impact due to a failure or defect of the products and/or malfunction attributed thereto.

- (1) Transportation equipment (automotive powertrain control system, train control system, and ship control system, etc.)
- (2) Traffic signal equipment
- (3) Disaster prevention equipment, crime prevention equipment
- (4) Medical devices classified as GHTF Class C (Japan Class III)
- (5) Highly public information network equipment, data-processing equipment (telephone exchange, and base station, etc.)
- (6) Any other equipment requiring high levels of quality and/or reliability equal to the equipment listed above

### 3. Equipment Prohibited for Use

Please do not incorporate our products into the following equipment requiring extremely high levels of safety and/or reliability.

- (1) Aerospace equipment (artificial satellite, rocket, etc.)
- (2) Aviation equipment <sup>\*1</sup>
- (3) Medical devices classified as GHTF Class D (Japan Class IV), implantable medical devices <sup>\*2</sup>
- (4) Power generation control equipment (nuclear power, hydroelectric power, thermal power plant control system, etc.)
- (5) Undersea equipment (submarine repeating equipment, etc.)
- (6) Military equipment
- (7) Any other equipment requiring extremely high levels of safety and/or reliability equal to the equipment listed above

\*Notes: 1. There is a possibility that our products can be used only for aviation equipment that does not directly affect the safe operation of aircraft (e.g., in-flight entertainment, cabin light, electric seat, cooking equipment) if such use meets requirements specified separately by TAIYO YUDEN. Please be sure to contact TAIYO YUDEN for further information before using our products for such aviation equipment.

2. Implantable medical devices contain not only internal unit which is implanted in a body, but also external unit which is connected to the internal unit.


### 4. Limitation of Liability

Please note that unless you obtain prior written consent of TAIYO YUDEN, TAIYO YUDEN shall not be in any way responsible for any damages incurred by you or third parties arising from use of the products listed in this catalog for any equipment that is not intended for use by TAIYO YUDEN, or any equipment requiring inquiry to TAIYO YUDEN or prohibited for use by TAIYO YUDEN as described above.

# Medical Application Guide

According to the medical devices classified as GHTF Classes A to C (Japan Classes I to III), we have the corresponding product series (the part number code of 2nd digit from the left side is "M" or "L") intended for use in the medical devices. Therefore, when using our products for the medical devices, please be sure to check the classification based on the GHTF Rules and use the corresponding product series.

On the other hand, we don't have the product series intended for use in (i) all medical devices classified as GHTF Class D (Japan Class IV) and (ii) implantable medical devices (bone-anchored hearing aid, artificial retina system, and external unit which is connected to internal unit which is implanted in a body, etc.). Therefore, please do not incorporate our products into these medical devices. Should you have any questions on this matter, please contact us.

Risk Level		Low  High			
Japan	Classification according to the PMD Act of Japan (based on the GHTF Rules)	<b>Class I</b> General Medical Devices (GHTF Class A)	<b>Class II</b> Controlled Medical Devices (GHTF Class B)	<b>Class III</b> Specially-controlled Medical Devices (GHTF Class C)	<b>Class IV</b> Specially-controlled Medical Devices (GHTF Class D)
		Medical devices with extremely low risk to the human body in case of problems  [Ex.] • In Vitro Diagnostic Devices • Nebulizer • Blood Gas Analyzer • Plethysmographs • Breathing Sensor • AC-powered Operating Table • Surgical Light • Cholesterol Analysis Device • Blood Type Analysis Device, etc.	Medical devices with relatively low risk to the human body in case of problems  [Ex.] • Electronic Thermometer • Electronic Blood Pressure Gauge • Electronic Endoscope • Hearing Aid • Electrocardiograph • MRI • Ultrasonic Diagnostic System • Diagnostic Imaging Equipment • X-ray Diagnostic Equipment • Central Monitor • Pulse Oximeter, etc.	Medical devices with relatively high risk to the human body in case of problems  [Ex.] • Dialysis Machine • Radiation Therapy Equipment • Infusion Pump • Respirator • Glucose Monitoring System • AED (Automated External Defibrillator) • Skin Laser Scanner • Electric Surgical Unit • Insulin Pump, etc.	Medical devices highly invasive to patients and with life-threatening risk in case of problems  [Ex.] • Cardiac Pacemaker • Video Flexible Angioscope • Implantable Infusion Pump • Cardiac Electrosurgical Unit • Inspection Device with Cardiac Catheter • Defibrillator, etc.
U.S.A.	FDA Classification	<b>Class I</b> General Controls	<b>Class II</b> General Controls and Special Controls	<b>Class III</b> General Controls and Premarket Approval	
		Medical devices without the possibility of causing serious injury or harm to the patient or user even if there is a defect or malfunction in such medical devices	Medical devices with the possibility of causing injury or harm to the patient or user if there is a defect or malfunction in such medical devices	Medical devices with the possibility of causing serious injury, disability or death to the patient or user if a defect or malfunction occurs in such medical devices	
Corresponding TAIYO YUDEN Product Series	<b>Product Series for Medical Devices classified as GHTF Classes A or B (Japan Classes I or II)</b> (Part Number Code of 2nd Digit from the Left Side: "L")		<b>Product Series for Medical Devices classified as GHTF Class C (Japan Class III)</b> (Part Number Code of 2nd Digit from the Left Side: "M") (See the Note below.)		N / A

\* Note : It is prohibited that our products are used in some medical devices such as implantable medical devices even if such medical

# Wire-wound Metal Power Inductors MCOIL™ LLBH series

## for Medical Devices classified as GHTF Classes A or B (Japan Classes I or II)

Code in front of Series have been extracted from Part number, which describes the segment of products, such as kinds and characteristics.

REFLOW

## PART NUMBER

\* Operating Temp.: -40~+105°C (Including self-generated heat)

L	L	B	H	B	1	6	0	8	K	K	T	1	R	0	M	
①	②	③	④	⑤	⑥	⑦	⑧									

## ① Series

Code (1)(2)(3)(4)	
LLBH	Wire-wound Metal Power Inductor for Medical Devices classified as GHTF Classes A or B (Japan Classes I or II)

## (1) Product Group

Code	
L	Inductors

## (3) Type

Code	
B	Metal Wire-wound (Horizontal type)

## (2) Category

Code	Recommended equipment	Quality Grade
L	Medical Devices classified as GHTF Classes A or B (Japan Classes I or II)	3

## (4) Features, Characteristics

Code	
H	Hybrid power choke

## ② Features

Code	Feature
B	L-shape electrode (Ag-resin × Sn-plate)

## ⑤ Packaging

Code	Packaging
T	Taping

## ③ Dimensions (L × W)

Code	Type (inch)	Dimensions (L × W) [mm]
1608	1608 (0603)	1.6 × 0.8
2012	2012 (0805)	2.0 × 1.25
2520	2520 (1008)	2.5 × 2.0

## ⑥ Nominal inductance

Code (example)	Nominal inductance [μH]
R24	0.24
1R0	1.0
4R7	4.7

※R=Decimal point

## ④ Dimensions (T)

Code	Dimensions (T) [mm]
KK	1.0
MK	1.2

## ⑦ Inductance tolerance

Code	Inductance tolerance
M	±20%
N	±30%

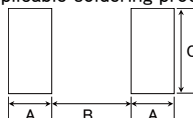
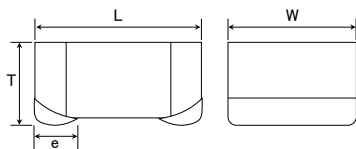
## ⑧ Internal code

## STANDARD EXTERNAL DIMENSIONS / STANDARD QUANTITY

## Recommended Land Patterns

## Surface Mounting

- Mounting and soldering conditions should be checked beforehand.
- Applicable soldering process to these products is reflow soldering only.



Type	A	B	C
1608	0.55	0.70	1.00
2012	0.60	1.00	1.45
2520	0.60	1.50	2.00

Unit: mm

Type	L	W	T	e	Standard quantity [pcs]	
					Paper tape	Embossed tape
1608KK	1.6 ± 0.2 (0.063 ± 0.008)	0.8 ± 0.2 (0.031 ± 0.008)	1.0 max (0.040 max)	0.45 ± 0.15 (0.016 ± 0.006)	—	3000
2012KK	2.0 ± 0.2 (0.079 ± 0.008)	1.25 ± 0.2 (0.049 ± 0.008)	1.0 max (0.040 max)	0.5 ± 0.2 (0.020 ± 0.008)	—	3000
2520MK	2.5 ± 0.2 (0.098 ± 0.008)	2.0 ± 0.2 (0.079 ± 0.008)	1.2 max (0.047 max)	0.5 ± 0.2 (0.020 ± 0.008)	—	3000

Unit: mm (inch)

## PART NUMBER

## ● 1608KK type

【Thickness: 1.0mm max.】

New part number	Old part number (for reference)	EHS	Nominal inductance [ $\mu$ H]	Inductance tolerance	Self-resonant frequency [MHz] (min.)	DC Resistance [ $\Omega$ ] (max.)	Rated current ※) [mA] (max.)		Measuring frequency [MHz]
							Saturation current Idc1	Temperature rise current Idc2	
LLBHB1608KKTR24N	MBKK1608TR24N	RoHS	0.24	$\pm 30\%$	-	0.049	1,650	2,300	1.0
LLBHB1608KKTR47N	MBKK1608TR47N	RoHS	0.47	$\pm 30\%$	-	0.104	1,100	1,400	1.0
LLBHB1608KKTR68N	MBKK1608TR68N	RoHS	0.68	$\pm 30\%$	-	0.120	950	1,200	1.0
LLBHB1608KKT1R0M	MBKK1608T1R0M	RoHS	1.0	$\pm 20\%$	-	0.150	800	1,150	1.0
LLBHB1608KKT1R5M	MBKK1608T1R5M	RoHS	1.5	$\pm 20\%$	-	0.200	650	1,000	1.0
LLBHB1608KKT2R2M	MBKK1608T2R2M	RoHS	2.2	$\pm 20\%$	-	0.345	520	750	1.0
LLBHB1608KKT3R3M	MBKK1608T3R3M	RoHS	3.3	$\pm 20\%$	-	0.512	450	600	1.0
LLBHB1608KKT4R7M	MBKK1608T4R7M	RoHS	4.7	$\pm 20\%$	-	0.730	370	500	1.0

## ● 2012KK type

【Thickness: 1.0mm max.】

New part number	Old part number (for reference)	EHS	Nominal inductance [ $\mu$ H]	Inductance tolerance	Self-resonant frequency [MHz] (min.)	DC Resistance [ $\Omega$ ] (max.)	Rated current ※) [mA] (max.)		Measuring frequency [MHz]
							Saturation current Idc1	Temperature rise current Idc2	
LLBHB2012KKTR24N	MBKK2012TR24N	RoHS	0.24	$\pm 30\%$	-	0.041	3,000	2,400	1.0
LLBHB2012KKTR47N	MBKK2012TR47N	RoHS	0.47	$\pm 30\%$	-	0.078	2,000	1,650	1.0
LLBHB2012KKTR68N	MBKK2012TR68N	RoHS	0.68	$\pm 30\%$	-	0.090	1,800	1,500	1.0
LLBHB2012KKT1R0M	MBKK2012T1R0M	RoHS	1.0	$\pm 20\%$	-	0.106	1,500	1,450	1.0
LLBHB2012KKT1R5M	MBKK2012T1R5M	RoHS	1.5	$\pm 20\%$	-	0.173	1,200	1,100	1.0
LLBHB2012KKT2R2M	MBKK2012T2R2M	RoHS	2.2	$\pm 20\%$	-	0.290	900	850	1.0
LLBHB2012KKT3R3M	MBKK2012T3R3M	RoHS	3.3	$\pm 20\%$	-	0.500	700	650	1.0
LLBHB2012KKT4R7M	MBKK2012T4R7M	RoHS	4.7	$\pm 20\%$	-	0.615	600	600	1.0

## ● 2520MK type

【Thickness: 1.2mm max.】

New part number	Old part number (for reference)	EHS	Nominal inductance [ $\mu$ H]	Inductance tolerance	Self-resonant frequency [MHz] (min.)	DC Resistance [ $\Omega$ ] (max.)	Rated current ※) [mA] (max.)		Measuring frequency [MHz]
							Saturation current Idc1	Temperature rise current Idc2	
LLBHB2520MKTR24N	MBMK2520TR24N	RoHS	0.24	$\pm 30\%$	-	0.026	4,750	3,500	1.0
LLBHB2520MKTR47N	MBMK2520TR47N	RoHS	0.47	$\pm 30\%$	-	0.042	3,900	2,600	1.0
LLBHB2520MKTR68N	MBMK2520TR68N	RoHS	0.68	$\pm 30\%$	-	0.058	3,150	2,150	1.0
LLBHB2520MKT1R0M	MBMK2520T1R0M	RoHS	1.0	$\pm 20\%$	-	0.072	2,350	1,850	1.0
LLBHB2520MKT1R5M	MBMK2520T1R5M	RoHS	1.5	$\pm 20\%$	-	0.106	2,050	1,500	1.0
LLBHB2520MKT2R2M	MBMK2520T2R2M	RoHS	2.2	$\pm 20\%$	-	0.159	1,800	1,250	1.0
LLBHB2520MKT3R3M	MBMK2520T3R3M	RoHS	3.3	$\pm 20\%$	-	0.260	1,400	970	1.0
LLBHB2520MKT4R7M	MBMK2520T4R7M	RoHS	4.7	$\pm 20\%$	-	0.380	1,150	800	1.0

※) The saturation current value (Idc1) is the DC current value having inductance decrease down to 30%. (at 20°C)

※) The temperature rise current value (Idc2) is the DC current value having temperature increase by 40°C. (at 20°C)

※) The rated current value is following either Idc1 or Idc2, which is the lower one.

# Wire-wound Metal Power Inductors MCOIL™ LSBH/LLBH series

## Wire-wound Metal Power Inductors MCOIL™ LSBH/LLBH series (125°C guaranteed product)

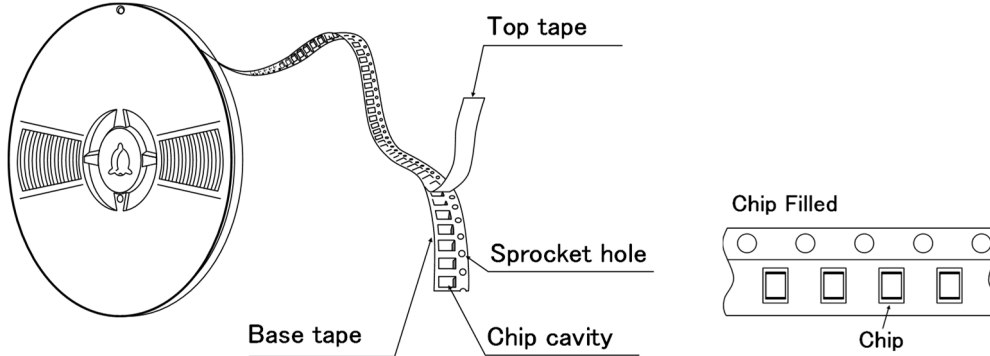
### PACKAGING

#### ① Minimum Quantity

Type	Standard Quantity [pcs]
	Tape & Reel
1608KK	3000
2012KK	3000
2520MK	3000

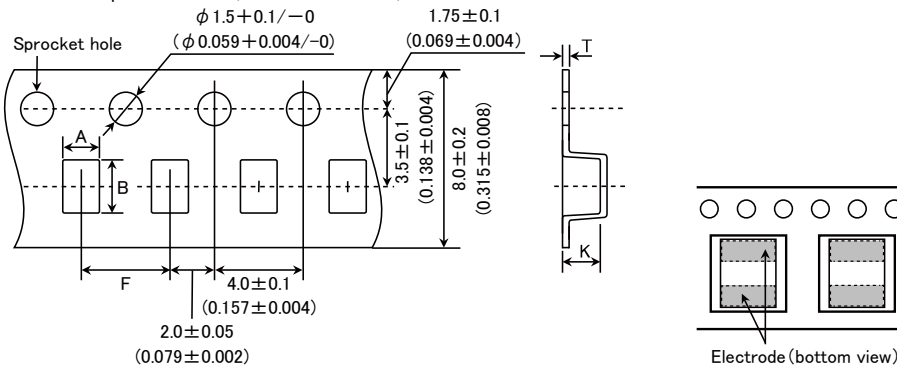
#### ② Tape Material

##### ● Embossed Tape



#### ③ Taping dimensions

##### ● Embossed tape 8mm wide (0.315 inches wide)

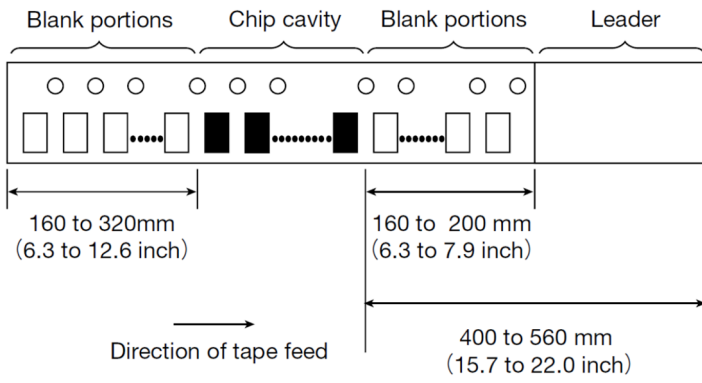


Type	Chip cavity		Insertion pitch	Tape thickness	
	A	B		T	K
1608KK	1.1 (0.043)	1.9 (0.075)	$4.0 \pm 0.1$ (0.157 ± 0.004)	$0.25 \pm 0.05$ (0.010 ± 0.002)	1.2 max (0.047 max)
2012KK	1.45 (0.057)	2.2 (0.087)	$4.0 \pm 0.1$ (0.157 ± 0.004)	$0.25 \pm 0.05$ (0.010 ± 0.002)	1.2 max (0.047 max)
2520MK	2.3 (0.091)	2.8 (0.110)	$4.0 \pm 0.1$ (0.157 ± 0.004)	$0.3 \pm 0.05$ (0.012 ± 0.002)	1.45 max (0.057 max)

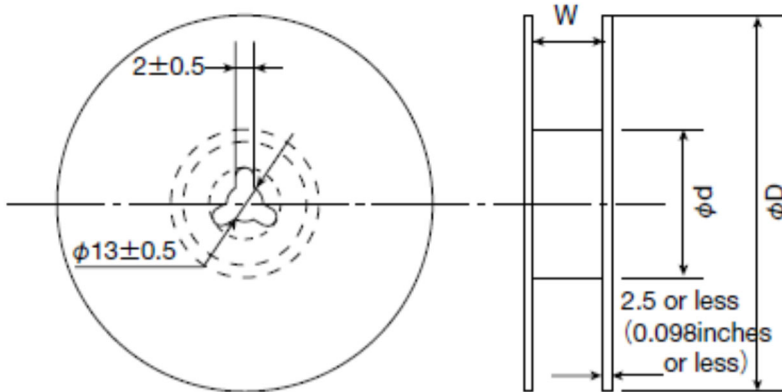
Unit : mm (inch)

► This catalog contains the typical specification only due to the limitation of space. When you consider the purchase of our products, please check our specification. For details of each product (characteristics graph, reliability information, precautions for use, and so on), see our Web site (<http://www.ty-top.com/>).

#### ④ Leader and Blank portion



#### ⑤ Reel size

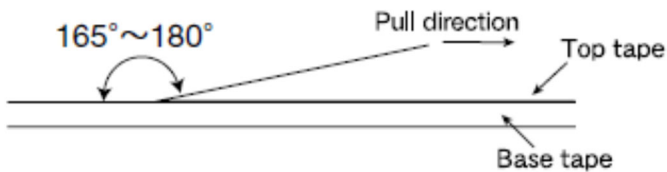


Type	Reel size (Reference values)		
	$\phi D$	$\phi d$	W
1608KK	180+0/-3 (7.087+0/-0.118)	60+1/-0 (2.36+0.039/0)	10.0±1.5 (0.394±0.059)
2012KK			
2520MK			

Unit: mm (inch)

#### ⑥ Top Tape Strength

The top tape requires a peel-off force of 0.1 to 1.0N in the direction of the arrow as illustrated below.



## Wire-wound Metal Power Inductors MCOIL™ LSBH series

for General Electronic Equipment for Consumer

## Wire-wound Metal Power Inductors MCOIL™ LSBH series (125°C guaranteed product)

for General Electronic Equipment for Consumer

## Wire-wound Metal Power Inductors MCOIL™ LLBH series

for Medical Devices classified as GHTF Classes A or B (Japan Classes I or II)

## Wire-wound Metal Power Inductors MCOIL™ LLBH series (125°C guaranteed product)

for Medical Devices classified as GHTF Classes A or B (Japan Classes I or II)

### ■ RELIABILITY DATA

#### 1. Operating Temperature Range

Specified Value	−40~+105°C: LSBH/LLBH −40~+125°C: LSBH/LLBH (125°C guaranteed product)
-----------------	---

Test Methods and Remarks	Including self-generated heat
--------------------------	-------------------------------

#### 2. Storage Temperature Range

Specified Value	−40~+85°C
-----------------	-----------

Test Methods and Remarks	0 to 40°C for the product with taping.
--------------------------	--

#### 3. Rated current

Specified Value	Within the specified tolerance
-----------------	--------------------------------

#### 4. Inductance

Specified Value	Within the specified tolerance
-----------------	--------------------------------

Test Methods and Remarks	Measuring equipment : LCR Meter (HP 4285A or equivalent) Measuring frequency : 1MHz, 1V
--------------------------	--

#### 5. DC Resistance

Specified Value	Within the specified tolerance
-----------------	--------------------------------

Test Methods and Remarks	Measuring equipment : DC ohmmeter (HIOKI 3227 or equivalent)
--------------------------	--

#### 6. Self resonance frequency

Specified Value	—
-----------------	---

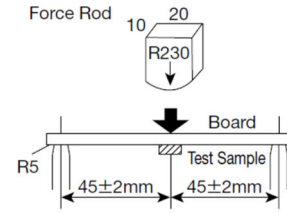
#### 7. Temperature characteristic

Specified Value	Inductance change : Within $\pm 15\%$
-----------------	---------------------------------------

Test Methods and Remarks	LSBH/LLBH: Measurement of inductance shall be taken at temperature range within $-40^{\circ}\text{C}\sim +105^{\circ}\text{C}$ . With reference to inductance value at $+20^{\circ}\text{C}$ ., change rate shall be calculated. LSBH/LLBH (125°C guaranteed product): Measurement of inductance shall be taken at temperature range within $-40^{\circ}\text{C}\sim +125^{\circ}\text{C}$ . With reference to inductance value at $+20^{\circ}\text{C}$ ., change rate shall be calculated.
--------------------------	---



8. Resistance to flexure of substrate	
Specified Value	No damage
Test Methods and Remarks	<p>The test samples shall be soldered to the test board by the reflow. As illustrated below, apply force in the direction of the arrow indicating until deflection of the test board reaches to 2 mm.</p> <p>Test board size : 100 × 40 × 1.0 mm (1608 type: 0.8mm)</p> <p>Test board material : Glass epoxy-resin</p> <p>Solder cream thickness : 0.1 mm</p>



9. Insulation resistance : between wires	
Specified Value	—

10. Insulation resistance : between wire and core	
Specified Value	<p>LSBH/LLBH:</p> <p>DC25V 100k Ω min</p> <p>LSBH/LLBH (125°C guaranteed product):</p> <p>DC50V 100k Ω min</p>

11. Withstanding voltage : between wire and core	
Specified Value	—

12. Adhesion of terminal electrode	
Specified Value	No abnormality.
Test Methods and Remarks	<p>The test samples shall be soldered to the test board by the reflow.</p> <p>Applied force : 10N (1608 type: 5N) to X and Y directions.</p> <p>Duration : 5s.</p> <p>Solder cream thickness : 0.1mm.</p>

13. Resistance to vibration															
Specified Value	<p>Inductance change : Within ±10%</p> <p>No significant abnormality in appearance.</p>														
Test Methods and Remarks	<p>The test samples shall be soldered to the test board by the reflow.</p> <p>Then it shall be submitted to below test conditions.</p> <table border="1"> <tr> <td>Frequency Range</td> <td colspan="2">10~55Hz</td> </tr> <tr> <td>Total Amplitude</td> <td colspan="2">1.5mm (May not exceed acceleration 196m/s<sup>2</sup>)</td> </tr> <tr> <td>Sweeping Method</td> <td colspan="2">10Hz to 55Hz to 10Hz for 1min.</td> </tr> <tr> <td rowspan="3">Time</td> <td>X</td> <td rowspan="3">For 2 hours on each X, Y, and Z axis.</td> </tr> <tr> <td>Y</td> </tr> <tr> <td>Z</td> </tr> </table> <p>Recovery : At least 2hrs of recovery under the standard condition after the test, followed by the measurement within 48hrs.</p>	Frequency Range	10~55Hz		Total Amplitude	1.5mm (May not exceed acceleration 196m/s <sup>2</sup> )		Sweeping Method	10Hz to 55Hz to 10Hz for 1min.		Time	X	For 2 hours on each X, Y, and Z axis.	Y	Z
Frequency Range	10~55Hz														
Total Amplitude	1.5mm (May not exceed acceleration 196m/s <sup>2</sup> )														
Sweeping Method	10Hz to 55Hz to 10Hz for 1min.														
Time	X	For 2 hours on each X, Y, and Z axis.													
	Y														
	Z														

14. Solderability							
Specified Value	At least 90% of surface of terminal electrode is covered by new solder.						
Test Methods and Remarks	<p>The test samples shall be dipped in flux, and then immersed in molten solder as shown in below table.</p> <p>Flux : Ethanol solution containing rosin 25%.</p> <table border="1"> <tr> <td>Solder Temperature</td> <td>245 ± 5°C</td> </tr> <tr> <td>Immersing speed</td> <td>25mm/s</td> </tr> <tr> <td>Time</td> <td>5 ± 0.5 sec.</td> </tr> </table> <p>※Immersion depth : All sides of mounting terminal shall be immersed.</p>	Solder Temperature	245 ± 5°C	Immersing speed	25mm/s	Time	5 ± 0.5 sec.
Solder Temperature	245 ± 5°C						
Immersing speed	25mm/s						
Time	5 ± 0.5 sec.						

**15. Resistance to soldering heat**

Specified Value	Inductance change : Within $\pm 10\%$ No significant abnormality in appearance.
Test Methods and Remarks	The test sample shall be exposed to reflow oven at $230^{\circ}\text{C}$ for 40 seconds, with peak temperature at $260+0/-5^{\circ}\text{C}$ for 5 seconds, 3 times. Test board material : Glass epoxy-resin Test board thickness : 1.0mm Recovery : At least 2hrs of recovery under the standard condition after the test, followed by the measurement within 48hrs.

**16. Thermal shock**

Specified Value	Inductance change : Within $\pm 10\%$ No significant abnormality in appearance.																																				
Test Methods and Remarks	<div style="display: flex; justify-content: space-between;"> <div style="width: 48%;"> <p>LSBH/LLBH:</p> <p>The test samples shall be soldered to the test board by the reflow. The test samples shall be placed at specified temperature for specified time by step 1 to step 4 as shown in below table in sequence. The temperature cycle shall be repeated 100 cycles.</p> <table border="1" style="width: 100%; text-align: center;"> <thead> <tr> <th colspan="3">Conditions of 1 cycle</th> </tr> <tr> <th>Step</th> <th>Temperature (<math>^{\circ}\text{C}</math>)</th> <th>Duration (min)</th> </tr> </thead> <tbody> <tr> <td>1</td> <td><math>-40\pm 3</math></td> <td><math>30\pm 3</math></td> </tr> <tr> <td>2</td> <td>Room temperature</td> <td>Within 3</td> </tr> <tr> <td>3</td> <td><math>+85\pm 2</math></td> <td><math>30\pm 3</math></td> </tr> <tr> <td>4</td> <td>Room temperature</td> <td>Within 3</td> </tr> </tbody> </table> <p>Recovery : At least 2hrs of recovery under the standard condition after the test, followed by the measurement within 48hrs.</p> </div> <div style="width: 48%;"> <p>LSBH/LLBH (<math>125^{\circ}\text{C}</math> guaranteed product):</p> <p>The test samples shall be soldered to the test board by the reflow. The test samples shall be placed at specified temperature for specified time by step 1 to step 4 as shown in below table in sequence. The temperature cycle shall be repeated 100 cycles.</p> <table border="1" style="width: 100%; text-align: center;"> <thead> <tr> <th colspan="3">Conditions of 1 cycle</th> </tr> <tr> <th>Step</th> <th>Temperature (<math>^{\circ}\text{C}</math>)</th> <th>Duration (min)</th> </tr> </thead> <tbody> <tr> <td>1</td> <td><math>-40\pm 3</math></td> <td><math>30\pm 3</math></td> </tr> <tr> <td>2</td> <td>Room temperature</td> <td>Within 3</td> </tr> <tr> <td>3</td> <td><math>+125\pm 2</math></td> <td><math>30\pm 3</math></td> </tr> <tr> <td>4</td> <td>Room temperature</td> <td>Within 3</td> </tr> </tbody> </table> <p>Recovery : At least 2hrs of recovery under the standard condition after the test, followed by the measurement within 48hrs.</p> </div> </div>	Conditions of 1 cycle			Step	Temperature ( $^{\circ}\text{C}$ )	Duration (min)	1	$-40\pm 3$	$30\pm 3$	2	Room temperature	Within 3	3	$+85\pm 2$	$30\pm 3$	4	Room temperature	Within 3	Conditions of 1 cycle			Step	Temperature ( $^{\circ}\text{C}$ )	Duration (min)	1	$-40\pm 3$	$30\pm 3$	2	Room temperature	Within 3	3	$+125\pm 2$	$30\pm 3$	4	Room temperature	Within 3
Conditions of 1 cycle																																					
Step	Temperature ( $^{\circ}\text{C}$ )	Duration (min)																																			
1	$-40\pm 3$	$30\pm 3$																																			
2	Room temperature	Within 3																																			
3	$+85\pm 2$	$30\pm 3$																																			
4	Room temperature	Within 3																																			
Conditions of 1 cycle																																					
Step	Temperature ( $^{\circ}\text{C}$ )	Duration (min)																																			
1	$-40\pm 3$	$30\pm 3$																																			
2	Room temperature	Within 3																																			
3	$+125\pm 2$	$30\pm 3$																																			
4	Room temperature	Within 3																																			

**17. Damp heat**

Specified Value	Inductance change : Within $\pm 10\%$ No significant abnormality in appearance.												
Test Methods and Remarks	<div style="display: flex; justify-content: space-between;"> <div style="width: 48%;"> <p>LSBH/LLBH:</p> <p>The test samples shall be soldered to the test board by the reflow. The test samples shall be placed in thermostatic oven set at specified temperature and humidity as shown in below table.</p> <table border="1" style="width: 100%; text-align: center;"> <tbody> <tr> <td>Temperature</td> <td><math>60\pm 2^{\circ}\text{C}</math></td> </tr> <tr> <td>Humidity</td> <td>90~95%RH</td> </tr> <tr> <td>Time</td> <td>1000+24/-0 hour</td> </tr> </tbody> </table> <p>Recovery : At least 2hrs of recovery under the standard condition after the test, followed by the measurement within 48hrs.</p> </div> <div style="width: 48%;"> <p>LSBH/LLBH (<math>125^{\circ}\text{C}</math> guaranteed product):</p> <p>The test samples shall be soldered to the test board by the reflow. The test samples shall be placed in thermostatic oven set at specified temperature and humidity as shown in below table.</p> <table border="1" style="width: 100%; text-align: center;"> <tbody> <tr> <td>Temperature</td> <td><math>85\pm 2^{\circ}\text{C}</math></td> </tr> <tr> <td>Humidity</td> <td>85%RH</td> </tr> <tr> <td>Time</td> <td>1000+24/-0 hour</td> </tr> </tbody> </table> <p>Recovery : At least 2hrs of recovery under the standard condition after the test, followed by the measurement within 48hrs.</p> </div> </div>	Temperature	$60\pm 2^{\circ}\text{C}$	Humidity	90~95%RH	Time	1000+24/-0 hour	Temperature	$85\pm 2^{\circ}\text{C}$	Humidity	85%RH	Time	1000+24/-0 hour
Temperature	$60\pm 2^{\circ}\text{C}$												
Humidity	90~95%RH												
Time	1000+24/-0 hour												
Temperature	$85\pm 2^{\circ}\text{C}$												
Humidity	85%RH												
Time	1000+24/-0 hour												

**18. Loading under damp heat**

Specified Value	Inductance change : Within $\pm 10\%$ No significant abnormality in appearance.																
Test Methods and Remarks	<div style="display: flex; justify-content: space-between;"> <div style="width: 48%;"> <p>LSBH/LLBH:</p> <p>The test samples shall be soldered to the test board by the reflow. The test samples shall be placed in thermostatic oven set at specified temperature and humidity and applied the rated current continuously as shown in below table.</p> <table border="1" style="width: 100%; text-align: center;"> <tbody> <tr> <td>Temperature</td> <td><math>60\pm 2^{\circ}\text{C}</math></td> </tr> <tr> <td>Humidity</td> <td>90~95%RH</td> </tr> <tr> <td>Applied current</td> <td>Rated current</td> </tr> <tr> <td>Time</td> <td>1000+24/-0 hour</td> </tr> </tbody> </table> <p>Recovery : At least 2hrs of recovery under the standard condition after the test, followed by the measurement within 48hrs.</p> </div> <div style="width: 48%;"> <p>LSBH/LLBH (<math>125^{\circ}\text{C}</math> guaranteed product):</p> <p>The test samples shall be soldered to the test board by the reflow. The test samples shall be placed in thermostatic oven set at specified temperature and humidity and applied the rated current continuously as shown in below table.</p> <table border="1" style="width: 100%; text-align: center;"> <tbody> <tr> <td>Temperature</td> <td><math>85\pm 2^{\circ}\text{C}</math></td> </tr> <tr> <td>Humidity</td> <td>85%RH</td> </tr> <tr> <td>Applied current</td> <td>Rated current</td> </tr> <tr> <td>Time</td> <td>1000+24/-0 hour</td> </tr> </tbody> </table> <p>Recovery : At least 2hrs of recovery under the standard condition after the test, followed by the measurement within 48hrs.</p> </div> </div>	Temperature	$60\pm 2^{\circ}\text{C}$	Humidity	90~95%RH	Applied current	Rated current	Time	1000+24/-0 hour	Temperature	$85\pm 2^{\circ}\text{C}$	Humidity	85%RH	Applied current	Rated current	Time	1000+24/-0 hour
Temperature	$60\pm 2^{\circ}\text{C}$																
Humidity	90~95%RH																
Applied current	Rated current																
Time	1000+24/-0 hour																
Temperature	$85\pm 2^{\circ}\text{C}$																
Humidity	85%RH																
Applied current	Rated current																
Time	1000+24/-0 hour																

**19. Low temperature life test**

Specified Value	Inductance change : Within $\pm 10\%$ No significant abnormality in appearance.				
Test Methods and Remarks	<p>The test samples shall be soldered to the test board by the reflow. After that, the test samples shall be placed at test conditions as shown in below table.</p> <table border="1" style="width: 100%; text-align: center;"> <tbody> <tr> <td>Temperature</td> <td><math>-40\pm 2^{\circ}\text{C}</math></td> </tr> <tr> <td>Time</td> <td>1000+24/-0 hour</td> </tr> </tbody> </table> <p>Recovery : At least 2hrs of recovery under the standard condition after the test, followed by the measurement within 48hrs.</p>	Temperature	$-40\pm 2^{\circ}\text{C}$	Time	1000+24/-0 hour
Temperature	$-40\pm 2^{\circ}\text{C}$				
Time	1000+24/-0 hour				

▶ This catalog contains the typical specification only due to the limitation of space. When you consider the purchase of our products, please check our specification. For details of each product (characteristics graph, reliability information, precautions for use, and so on), see our Web site (<http://www.ty-top.com/>).

20. High temperature life test

Specified Value	Inductance change : Within $\pm 10\%$ No significant abnormality in appearance.				
Test Methods and Remarks	The test samples shall be soldered to the test board by the reflow. After that, the test samples shall be placed at test conditions as shown in below table.				
	<table border="1"><tr><td>Temperature</td><td><math>85 \pm 2^\circ\text{C}</math></td></tr><tr><td>Time</td><td>1000 +24/ -0 hour</td></tr></table>	Temperature	$85 \pm 2^\circ\text{C}$	Time	1000 +24/ -0 hour
	Temperature	$85 \pm 2^\circ\text{C}$			
Time	1000 +24/ -0 hour				
Recovery : At least 2hrs of recovery under the standard condition after the test, followed by the measurement within 48hrs.					

21. Loading at high temperature life test

Specified Value	—
-----------------	---

22. Standard condition

Specified Value	Standard test condition : Unless otherwise specified, temperature is $20 \pm 15^\circ\text{C}$ and $65 \pm 20\%$ of relative humidity. When there is any question concerning measurement result: In order to provide correlation data, the test shall be condition of $20 \pm 2^\circ\text{C}$ of temperature, $65 \pm 5\%$ relative humidity. Inductance is in accordance with our measured value.
-----------------	--

# Wire-wound Metal Power Inductors MCOIL™ LSBH/LLBH series

## Wire-wound Metal Power Inductors MCOIL™ LSBH/LLBH series (125°C guaranteed product)

### PRECAUTIONS

1. Circuit Design	
Precautions	<ul style="list-style-type: none"> <li>◆ Verification of operating environment, electrical rating and performance                             <ol style="list-style-type: none"> <li>1. A malfunction in medical equipment, spacecraft, nuclear reactors, etc. may cause serious harm to human life or have severe social ramifications. As such, any inductors to be used in such equipment may require higher safety and/or reliability considerations and should be clearly differentiated from components used in general purpose applications.</li> <li>2. When inductors are used in places where dew condensation develops and/or where corrosive gas such as hydrogen sulfide, sulfurous acid, or chlorine exists in the air, characteristic deterioration may occur. Please do not use inductors under such environmental conditions.</li> </ol> </li> <li>◆ Operating Current (Verification of Rated current)                             <ol style="list-style-type: none"> <li>1. The operating current including inrush current for inductors must always be lower than their rated values.</li> <li>2. Do not apply current in excess of the rated value because the inductance may be reduced due to the magnetic saturation effect.</li> </ol> </li> <li>◆ Temperature rise                             <p>Temperature rise of power choke coil depends on the installation condition in end products.</p> <p>Make sure that temperature rise of power choke coils in actual end products is within the specified temperature range.</p> </li> </ul>
2. PCB Design	
Precautions	<ul style="list-style-type: none"> <li>◆ Land pattern design                             <ol style="list-style-type: none"> <li>1. Please refer to a recommended land pattern.</li> </ol> </li> </ul>
Technical considerations	<ul style="list-style-type: none"> <li>◆ Land pattern design                             <p>Surface Mounting</p> <ul style="list-style-type: none"> <li>• Mounting and soldering conditions should be checked beforehand.</li> <li>• Applicable soldering process to this products is reflow soldering only.</li> </ul> </li> </ul>
3. Considerations for automatic placement	
Precautions	<ul style="list-style-type: none"> <li>◆ Adjustment of mounting machine                             <ol style="list-style-type: none"> <li>1. Excessive impact load should not be imposed on the products when mounting onto the PC boards.</li> <li>2. Mounting and soldering conditions should be checked beforehand.</li> </ol> </li> </ul>
Technical considerations	<ul style="list-style-type: none"> <li>◆ Adjustment of mounting machine                             <ol style="list-style-type: none"> <li>1. When installing products, care should be taken not to apply distortion stress as it may deform the products.</li> </ol> </li> </ul>
4. Soldering	
Precautions	<ul style="list-style-type: none"> <li>◆ Reflow soldering                             <ol style="list-style-type: none"> <li>1. Please contact any of our offices for a reflow soldering, and refer to the recommended condition specified.</li> <li>2. The product shall be used reflow soldering only.</li> <li>3. Please do not add any stress to a product until it returns in normal temperature after reflow soldering.</li> </ol> </li> <li>◆ Lead free soldering                             <ol style="list-style-type: none"> <li>1. When using products with lead free soldering, we request to use them after confirming adhesion, temperature of resistance to soldering heat, soldering etc sufficiently.</li> </ol> </li> </ul>
Technical considerations	<ul style="list-style-type: none"> <li>◆ Reflow soldering                             <ol style="list-style-type: none"> <li>1. If products are used beyond the range of the recommended conditions, heat stresses may deform the products, and consequently degrade the reliability of the products.</li> </ol> <p>Recommended reflow condition (Pb free solder)</p> <p>Temperature [°C]</p> <p>Heating Time [sec]</p> <p>150~180</p> <p>90±30sec</p> <p>230°C min</p> <p>40sec max</p> <p>5sec max</p> <p>Peak: 260+0/-5°C</p> </li></ul>

► This catalog contains the typical specification only due to the limitation of space. When you consider the purchase of our products, please check our specification. For details of each product (characteristics graph, reliability information, precautions for use, and so on), see our Web site (<http://www.ty-top.com/>).

5. Cleaning	
Precautions	<ul style="list-style-type: none"> <li>◆ Cleaning conditions</li> <li>1. Washing by supersonic waves shall be avoided.</li> </ul>
Technical considerations	<ul style="list-style-type: none"> <li>◆ Cleaning conditions</li> <li>1. If washed by supersonic waves, the products might be broken.</li> </ul>
6. Handling	
Precautions	<ul style="list-style-type: none"> <li>◆ Handling</li> <li>1. Keep the product away from all magnets and magnetic objects.</li> <li>◆ Breakaway PC boards (splitting along perforations)</li> <li>1. When splitting the PC board after mounting product, care should be taken not to give any stresses of deflection or twisting to the board.</li> <li>2. Board separation should not be done manually, but by using the appropriate devices.</li> <li>◆ Mechanical considerations</li> <li>1. Please do not give the product any excessive mechanical shocks.</li> <li>2. Please do not add any shock and power to a product in transportation.</li> <li>◆ Pick-up pressure</li> <li>1. Please do not push to add any pressure to a winding part. Please do not give any shock and push into a ferrite core exposure part.</li> <li>◆ Packing</li> <li>1. Please avoid accumulation of a packing box as much as possible.</li> </ul>
Technical considerations	<ul style="list-style-type: none"> <li>◆ Handling</li> <li>1. There is a case that a characteristic varies with magnetic influence.</li> <li>◆ Breakaway PC boards (splitting along perforations)</li> <li>1. The position of the product on PCBs shall be carefully considered to minimize the stress caused from splitting of the PCBs.</li> <li>◆ Mechanical considerations</li> <li>1. There is a case to be damaged by a mechanical shock.</li> <li>2. There is a case to be broken by the handling in transportation.</li> <li>◆ Pick-up pressure</li> <li>1. Damage and a characteristic can vary with an excessive shock or stress.</li> <li>◆ Packing</li> <li>1. If packing boxes are accumulated, that could cause a deformation on packing tapes or a damage on the products.</li> </ul>
7. Storage conditions	
Precautions	<ul style="list-style-type: none"> <li>◆ Storage</li> <li>1. To maintain the solderability of terminal electrodes and to keep the packing material in good condition, temperature and humidity in the storage area should be controlled. <ul style="list-style-type: none"> <li>▪ Recommended conditions</li> <li>Ambient temperature : 0~40°C</li> <li>Humidity : Below 70% RH</li> <li>▪ The ambient temperature must be kept below 30°C. Even under ideal storage conditions, solderability of products electrodes may decrease as time passes.</li> <li>For this reason, product should be used within 6 months from the time of delivery.</li> <li>In case of storage over 6 months, solderability shall be checked before actual usage.</li> </ul> </li> </ul>
Technical considerations	<ul style="list-style-type: none"> <li>◆ Storage</li> <li>1. Under a high temperature and humidity environment, problems such as reduced solderability caused by oxidation of terminal electrodes and deterioration of taping/packaging materials may take place.</li> </ul>