

**Wireless Module
GPS Module
GYSFDMAXB
Overview**

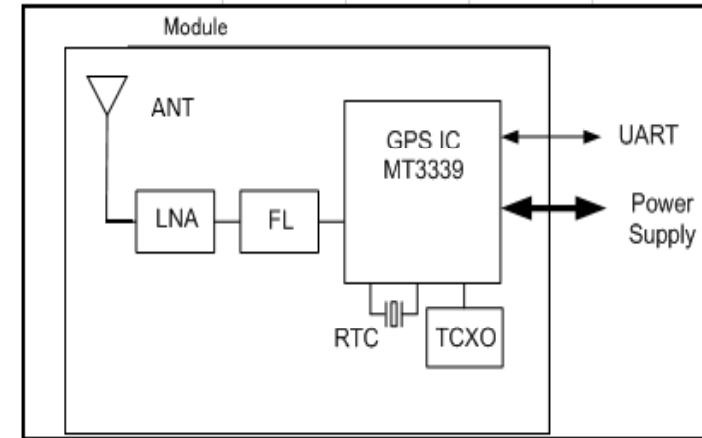
Apr.10,2017 Version 1.0

GPS Module(ANT type): GYSFDMAXB

Features

- L1: 1575.42MHz C/A code
- 22tracking/ 66acquisition- channel
- 12multi tone Active Interference Canceller (AIC)
- Support multi GNSS QZSS, SBAS (WAAS/EGNOS/MSAS/GAGAN)
- Always Locate™ Advanced location awareness technology
- EPO™ / Hot Still™ orbit prediction
- EASY™ self-generation orbit prediction
- Logger function support
- PPS function
- Serial interface UART(Baudrate:9600bps)
- Ultra low power consumption
- Build-in SAW Filter, LNA, TCXO, RTC, Shielding case, Antenna,Connector
- RoHS Conformity

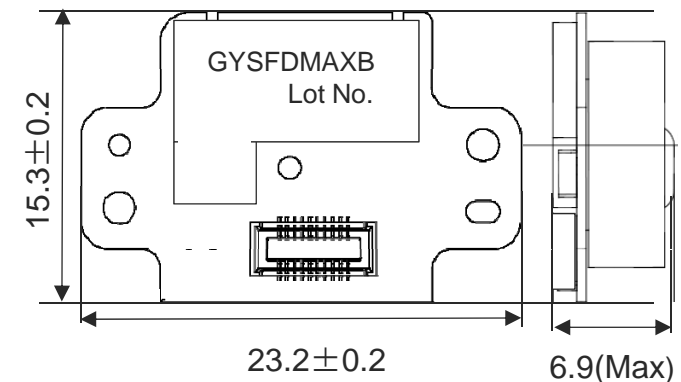
Block Diagram



Applications

Parameter	Description	Min.	Typ.	Max.	Units
Frequency			1575.42		MHz
Operation Voltage	VDD3V3	3.0	3.3	4.3	V
	VDD3V3_BACKUP	2.0	3.3	4.3	V
Sensitivity @LNA input	Hot-start	—	-162	—	dBm
	Cold-start	—	-146	—	dBm
TTF @LNA input	Hot-start@ -135dBm	—	1	—	sec
	Cold-start@-135dBm	—	42	—	sec
Accuracy	@ -135dBm	—	2	—	m
Power consumption	@ acquisition VDD=3.3	—	63	—	mW
	@ Tracking VDD=3.3	—	53	—	mW
General Operation Temperature Range		-30	25	85	deg-C

Outline



Connector:
 [Part No] DF40C-20DP-0.4V(51)
 [Manufacturer] Hirose Electric Co.Ltd
 *20Pin,
 * Pitch:0.40mm

TAIYO YUDEN